

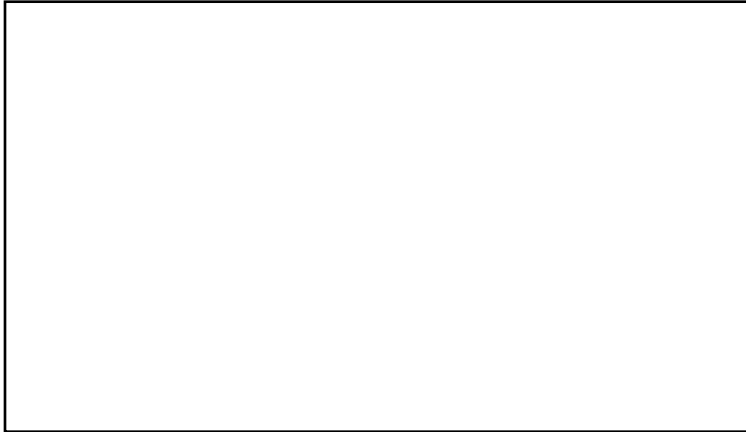
2022 Tennessee Top Bean Soybean Yield Contest

FORM A: CONTEST FIELD MEASUREMENT

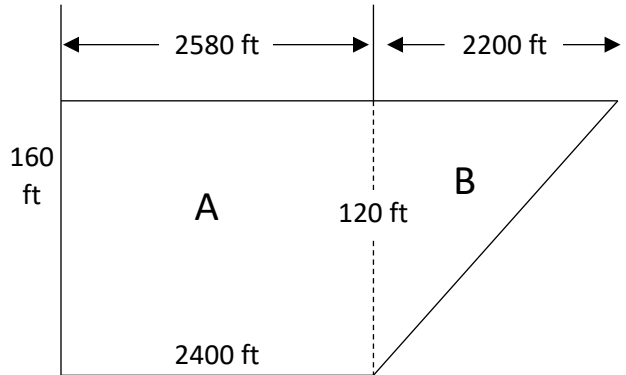
Contestants Name: _____ Date: _____

Farm Name: _____ County: _____

Draw a Diagram of the Soybean Field & Harvested Area. Include all measurements of the harvested area.



Example:



Measure all sides of the harvest area with a measuring wheel, a steel tape or fiberglass tape. Rowed beans are measured from the middle of the outside row spaces. Calculation of harvested area should be accomplished by breaking harvested area into the largest rectangle possible and calculating the rest of the areas as triangles.

CALCULATION OF YIELD

Area of Rectangles:

_____ Section _____ Length (ft) x _____ Width (ft) = _____ ft²

_____ Section _____ Length (ft) x _____ Width (ft) = _____ ft²

Area of Triangles:

_____ Section _____ Height (ft) x _____ Width (ft) x 0.5 = _____ ft²

_____ Section _____ Height (ft) x _____ Width (ft) x 0.5 = _____ ft²

Total Area:

_____ Total ft² ÷ 43,560 ft² = _____ Acres
3 decimals

CALCULATION OF YIELD

Area of Rectangles:

A Section $\frac{2580+2400}{2}$ Length (ft) x $\frac{160+120}{2}$ Width (ft) = 348,600 ft²

Area of Triangles:

B Section 120 Height (ft) x 2200 Width (ft) x 0.5 = 132,000 ft²

Total Area:

480,600 Total ft² ÷ 43,560 ft² = 11.033 Acres (3 decimals)

2022 Tennessee Top Bean Soybean Yield Contest

FORM B: CERTIFICATION OF YIELD

Contestants Name: _____ County: _____

Address: _____

Telephone: _____ email: _____

Contest Entered: Irrigated _____ Non Irrigated _____

**Attach Weigh Ticket to
this form**

Calculation of CERTIFIED YIELD (Calculated on basis of No. 1 soybean)

$$\text{bu/A} = \frac{\text{lbs of soybeans} \times (1 - (\% \text{ moisture} \div 100)) \times (1 - (\% \text{ foreign matter} \div 100))}{(52.2 \times \text{acres harvested})}$$

Example	Applicant's Figures
15,650 lbs of soybeans	lbs
13.1% moisture (to 1 decimal)	%
0% Foreign Matter (in excess of 1%)	%
4.214 acres (to 3 decimals)	A
YIELD	bu/A

$$\begin{aligned} \text{EXAMPLE: bu/A} &= \frac{15,650 \times (1 - (13.1 \div 100)) \times (1 - (0 \div 100))}{(52.2 \times 4.214)} \\ &= 13,599.9 \div 219.97 = 61.8 \text{ bu/A} \end{aligned}$$

SHOW CALCULATIONS:

CERTIFICATION

I certify that I have read the rules and regulations for the 2020 Tennessee Soybean Yield Contest and believe all information presented on this entry to be true and in accordance with the above rules and regulations.

Date: _____ Print Name & Sign: _____
(Extension Agent, Chair, Co. Soy Contest Committee)

Date: _____ Print Name & Sign: _____
(Person Making Measurements & Determinations)

Date: _____ Print Name & Sign: _____
(Applicant)

SEND COMPLETED FORMS TO: Ryan Blair, 605 Airways Blvd., Jackson, TN 38301
rblair2@utk.edu

2022 Tennessee Top Bean Soybean Yield Contest

FORM C: AGRONOMIC DATA FORM

1. Farm Name _____ Producer Name _____
2. Address: (Route/Street/Hwy. No.) _____
(City, State) _____ Zip Code _____
Telephone: Area Code () _____ County _____
3. District Entered (check): 1 2 3 4 5
4. Contest Entered (check): Non-Irrigated Irrigated

5. **PLANTING INFORMATION:**

Planting Date _____ Harvest Date _____ Soybean Variety _____

Seed Treatment: Yes No Product (if used) _____

Seed Inoculated: Yes No Product (if used) _____

In-Furrow Treatment: Yes No Product (if used) _____

Row Width (inches) _____

Planting Rate _____ Previous Year's Crop _____
(seeds/acre)

6. **FERTILITY PROGRAM:** Pounds Per Acre Applied to Soybean Crop

N _____ P₂O₅ _____ K₂O _____ Manure _____ Other _____

7. **WEED CONTROL:**

Herbicides Used

a. Preemergence Applied _____

b. Postemergence Applied _____

8. **INSECT CONTROL:**

Foliar Insecticide used: Yes No Product (if used) _____

9. **DISEASE CONTROL:**

Foliar Insecticide used: Yes No Product (if used) _____

10. **OTHER FOLIAR PRODUCTS USED:** _____

11. **SOIL PREPARATION AND TILLAGE:**

No-Till Disc Chisel Other (please describe) _____

SEND COMPLETED FORMS TO: Ryan Blair, 605 Airways Blvd., Jackson, TN 38301
rblair2@utk.edu

2022 Tennessee Top Bean Soybean Yield Contest

FORM D: WEIGHT CERTIFICATION (to be completed if using weigh wagon to weigh contest harvest)

Contestants Name: _____ Date: _____

Farm Name: _____ County: _____

Weigh Wagon Catch

Weigh Catch	lbs
1	
2	
3	
4	
5	
Total Weight	

I certify that this is the true weight for this contest entry.

Agent's Signature: _____ Date: _____